

# Rotary AirLock Valve

## Robust Construction

## Better Filling Efficiency

## Outboard Bearings for Non-Contamination

## Minimum Clearance at Tips and Sides

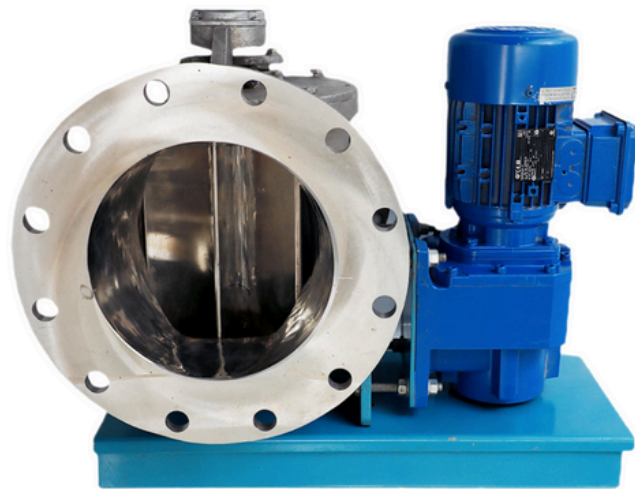
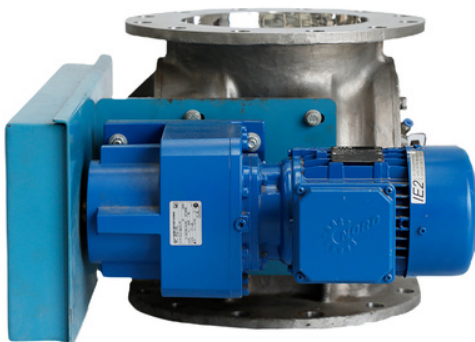
## Quick Cleaning / Hygienic

## Applications

- Rotary Airlock valves are used to discharge powder or granular materials from silos or hoppers in a gradual manner for further processing or pneumatic conveying

## Advantages

- Precision machining of all components
- Works for differential pressure upto 1 bar(g)
- Scalloped rotor design for Food and Pharmaceutical Industry
- Quick cleaning and hygienic available



## Solutions For :

- Food & Beverages
- FMCG
- Pharmaceutical
- Petrochemicals
- Chemicals & Specialty Chemical
- Foundries
- Ceramics
- Paints & Pigments and many more

## Design :

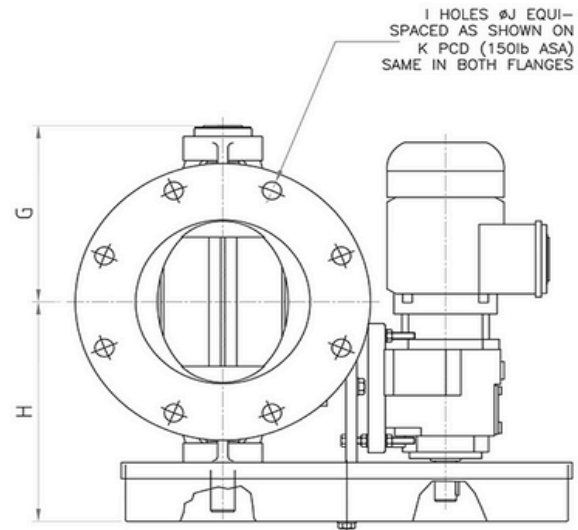
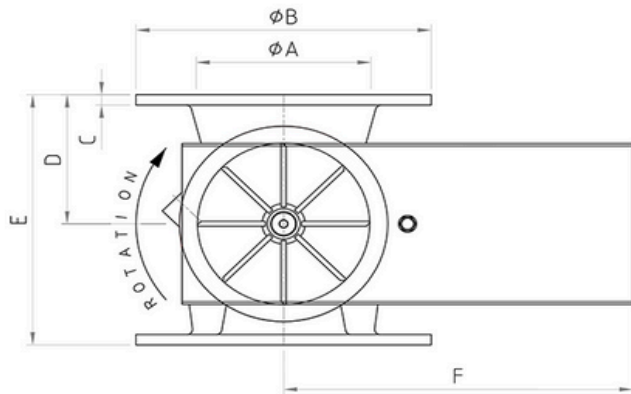
SAT high precision Rotary Valves are available as standard units to cater to material discharge and regulation applications while maintaining a good airlock

All our valves are precision machined for close tolerances and minimal eccentricities

Different designs are available based on application

- Open type Rotor / Closed type Rotor / Rotor with adjustable tips
- Direct driven / Chain driven configurations available
- Drop through / Blow through

## Drawing & Dimension Table :



Size	A	B	C	D	E	F	G	H	I	J	K
150	154	285	12	140	270	405	195	250	8	18	241
200	204	320	14	160	310	405	220	270	8	18	280
250	254	370	16	200	380	475	250	320	12	22	320
300	305	440	20	240	465	475	280	350	12	22	395
400	405	530	20	285	570	707	398	521	16	20	480 sq

Note : Higher sizes available on request

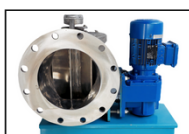
## Technical Data :

- Housing – Cast Iron / Cast Steel / Stainless Steel Precision bored
- End Covers – Cast Iron / Cast Steel / Stainless Steel with spigot located in body for concentricity
- Rotor – Fabricated Mild or Stainless Steel
- Bearings – Sealed for life ball type bearings; outboard type
- Shaft Seal - Gland type with PTFE packing; other seal options available for special applications
- Drive - TEFC geared motor with unit side wall mounted to valve body and complete with taper lock and sprockets and chain
- Direct driven options available

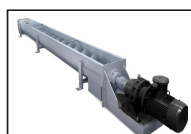
## Optional Accessories :

- ATEX compliant versions available on request
- Zero speed switch
- Venting assembly
- Shear plate deflectors
- Air purging assembly
- Full stainless steel chain and motor guard

## Other Products :



ROTARY AIRLOCK VALVES



SCREW CONVEYORS



DELUMPERS



PNEUMATIC CONVEYING SYSTEMS



STORAGE SILOS