

Rotary Bin Discharger (RBD)

Continuous Uniform Discharge

Discharge to Multiple Ports Simultaneously

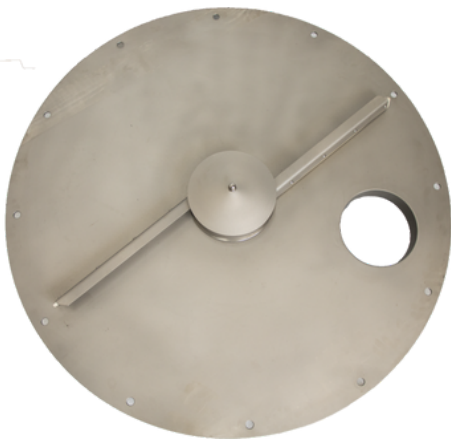
Works Great with Poor Flowing Powders

Applications

- Suitable for discharging powders / granules from hoppers / silos with low installation heights
- Discharge to multiple ports simultaneously

Advantages

- Easy installation in existing hoppers / silos
- Increased hopper or silo storage in the same footprint compared to conical hoppers
- Ensure complete product discharge



Solutions For :

- Food & Beverages
- FMCG
- Pharmaceutical
- Petrochemicals
- Chemicals & Specialty Chemical
- Foundries
- Ceramics
- Paints & Pigments and many more

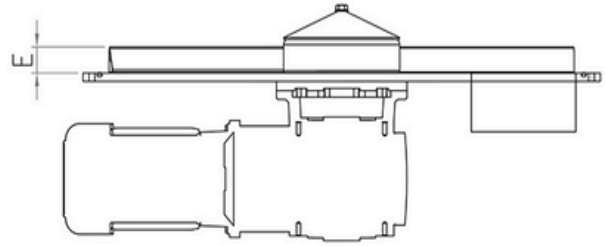
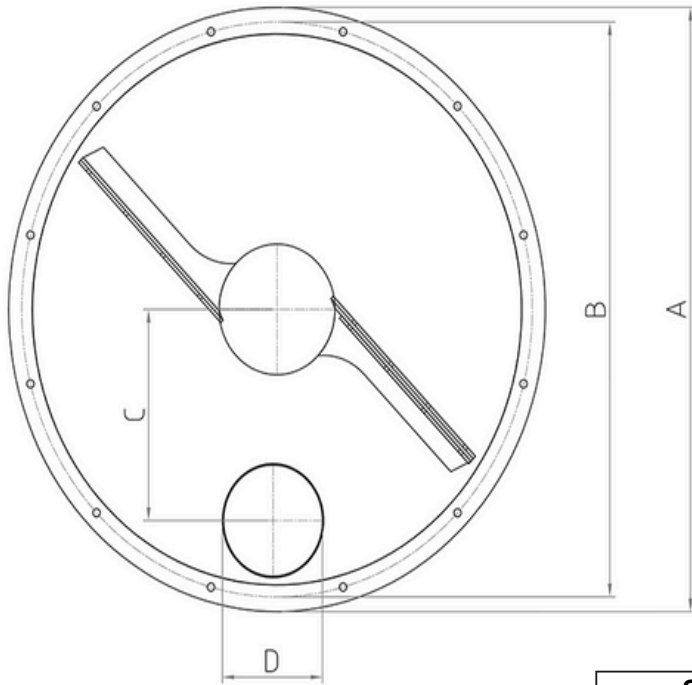
Design :

SAT Rotary Bin Discharger is a flanged equipment to be mounted on new / existing hoppers or silos

Several applications have limited room height for a conventional conical hopper installation and SAT, Rotary Bin Dischargers perfectly take care of such applications

With upto 3 product outlets you can ensure material to flow uniformly at 3 destinations together with a uniform flow rate

Drawing & Dimension Table :



Size	A	B	C	ø D	E
600	690	650	240	200	30
750	855	815	300	200	30
900	1030	975	360	200	30
1000	1140	1090	400	200	50
1200	1370	1300	480	250	50
1500	1700	1630	600	250	50

Note : Higher sizes available on request

Technical Data :

- SS 304 / SS 316 Construction / Carbon steel
- Sizes upto 4000 mm diameter available
- Scrapers in EPDM / NBR (white)
- SEW or Nord make Gearbox

Optional Accessories :

- Counterflange to mount on Client hopper / silo
- ATEX compliant versions available on request
- Manual / Pneumatic Valves Pneumatic Valves / Dosing screw feeders on product outlet ports

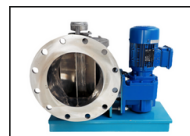
Other Products :



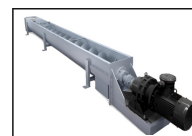
BIN ACTIVATOR



STORAGE SILOS



ROTARY AIRLOCK VALVE



SCREW CONVEYORS



PNEUMATIC CONVEYING SYSTEMS